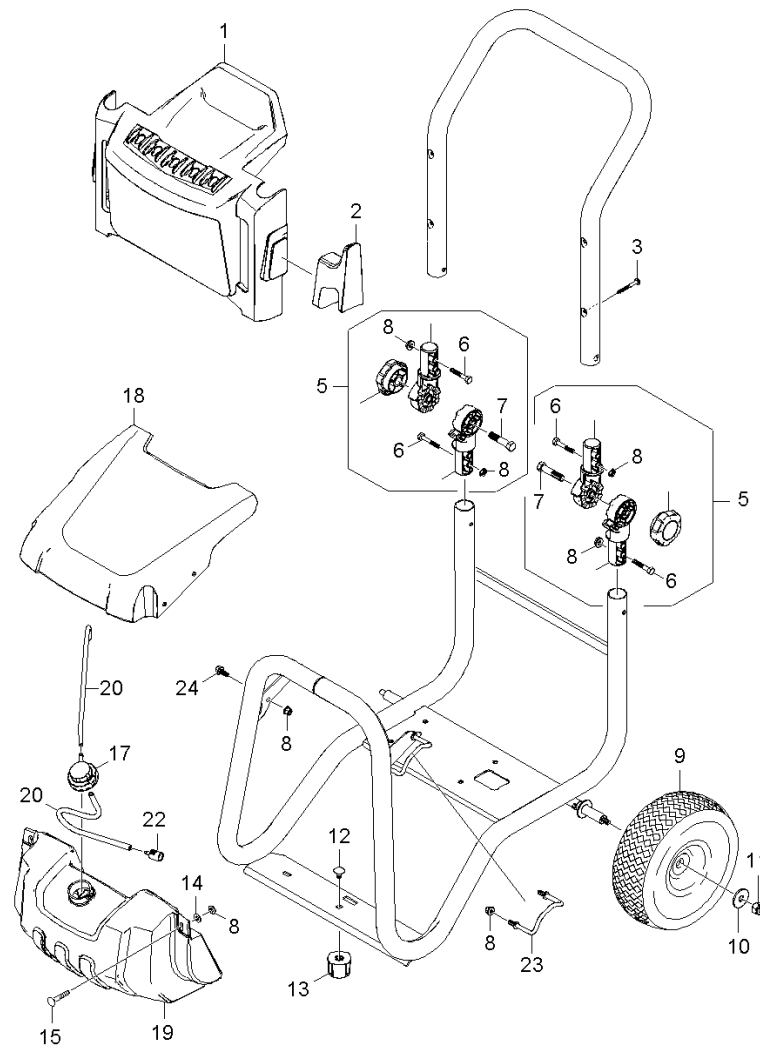


# 1.0 Frame



## 1.0 Frame

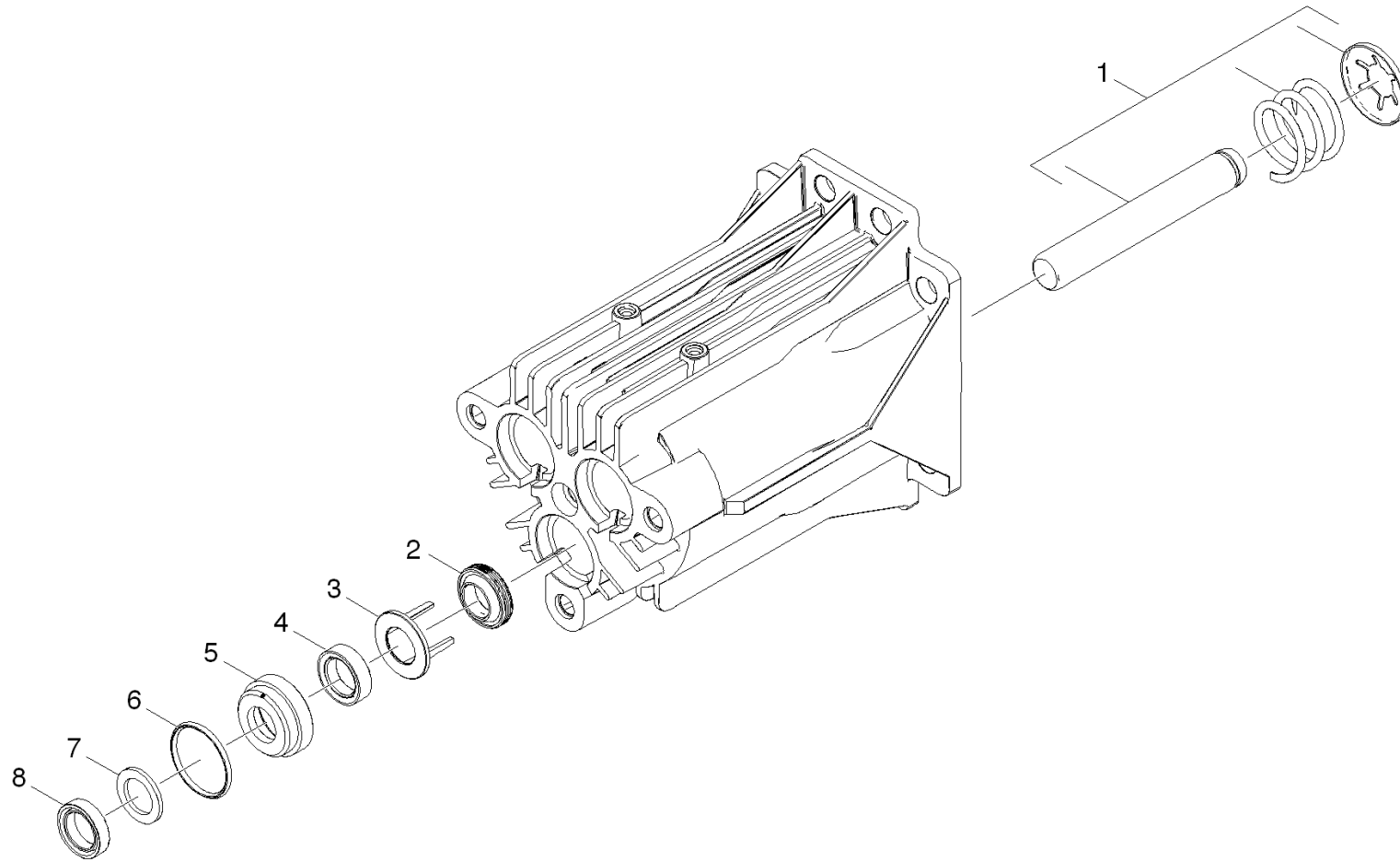
POS	DESCRIPTION ADDITIONAL INFORMATIONS	PART NO	QTY.	FROM SER.NR.	UP TO SER. NR.
1	Holder plate	50049950	1		
2	Holder pistol	50448270	1		
3	Cross Recessed Pan head screw	91960440	4		
5	ROTARY JOINT ASSEMBLY	91170010	2		
6	HEX HEAD BOLT 3/8-16 X 1-3/4	91960410	4		
7	1/4-20 x 1-1/2 GR 2 HEX BOLT ZINC	91963070	2		
8	1/4-20" Nylon Insert Lock Nut with Flang	91970100	10		
9	WHEEL, YELLOW RIM 12"X 3.50" PNEUMATIC	91890120	2		
10	Washer 21/64 X 1"	91980140	2		
11	5/16-18 NE NYLON INSERT L/N ZC 5UM	91970020	2		
12	5/16-18 X 1/2 CARRIAGE BOLT A307 BLK	91963080	1		
13	RUBBER DAMPENER 5/16"-18FEMALE 2001	91834050	1		
14	Washer 1/4"	91980150	2		
15	Oval Countersunk head machine screw	91960430	2		
17	Cover tank cleaning agents	40638070	1		
18	Cover long without chemistry regulation	50329470	1		
19	Tank front	50711740	1		
20	Hose DN 5 TO ORDER AS CUT GOODS	63882160	1		
22	Filter with weight	57316090	1		
23	Lance holder G 3000 BH	91420180	1		
24	Hex Washer Head Machine Screw 1/4-20	91960420	2		



## 2.1 Cylinder head

POS	DESCRIPTION ADDITIONAL INFORMATIONS	PART NO	QTY.	FROM SER.NR.	UP TO SER. NR.
1	SPARE PARTS LIST-SET3	91391950	1		
2	M18 PIPE PLUG	91540360	6		
3	O-Ring seal 12,42x 1,78	63624800	8		
4	Valve complete	45803710	6		
5	SPARE PARTS LIST-SET2	91391940	1		
6	O-Ring seal 15,6 x 1,78-NBR 70	63626340	1		
7	MALE ADAPTER	91340190	1		
8	FILTER SEAL-HOSE CONNECTOR-	91810050	1		
9	FEMALE HOSE CONNECTOR	91550130	1		
10	Cylinder head screw M 8x 40-8.8-A2E ISO	73060750	3		
11	Valve pin check valve	55840910	1		
12	O-Ring d. 4 x 2 NBR 90	63628510	1		
13	O-Ring seal 9,0 x 1,5	63623840	1		
14	Nozzle insert only for replacement	47690340	1		
15	Helical spring	53322580	1		
16	O-Ring seal 5,28x 1,78	63621750	1		
17	Sphere 7 G40 -1.4401 DIN 5401	74019090	1		
18	O-Ring seal 8,0 x 1,0	63624510	1		
19	Nipple chemistry	54434480	1		
20	CYLINDER HEAD-MACHINED	91350040	1		
21	MOLDED RUBBER END CAP	91773050	1		
22	Unloader Assembly	91750070	1		
23	Quick Connect	91540450	1		

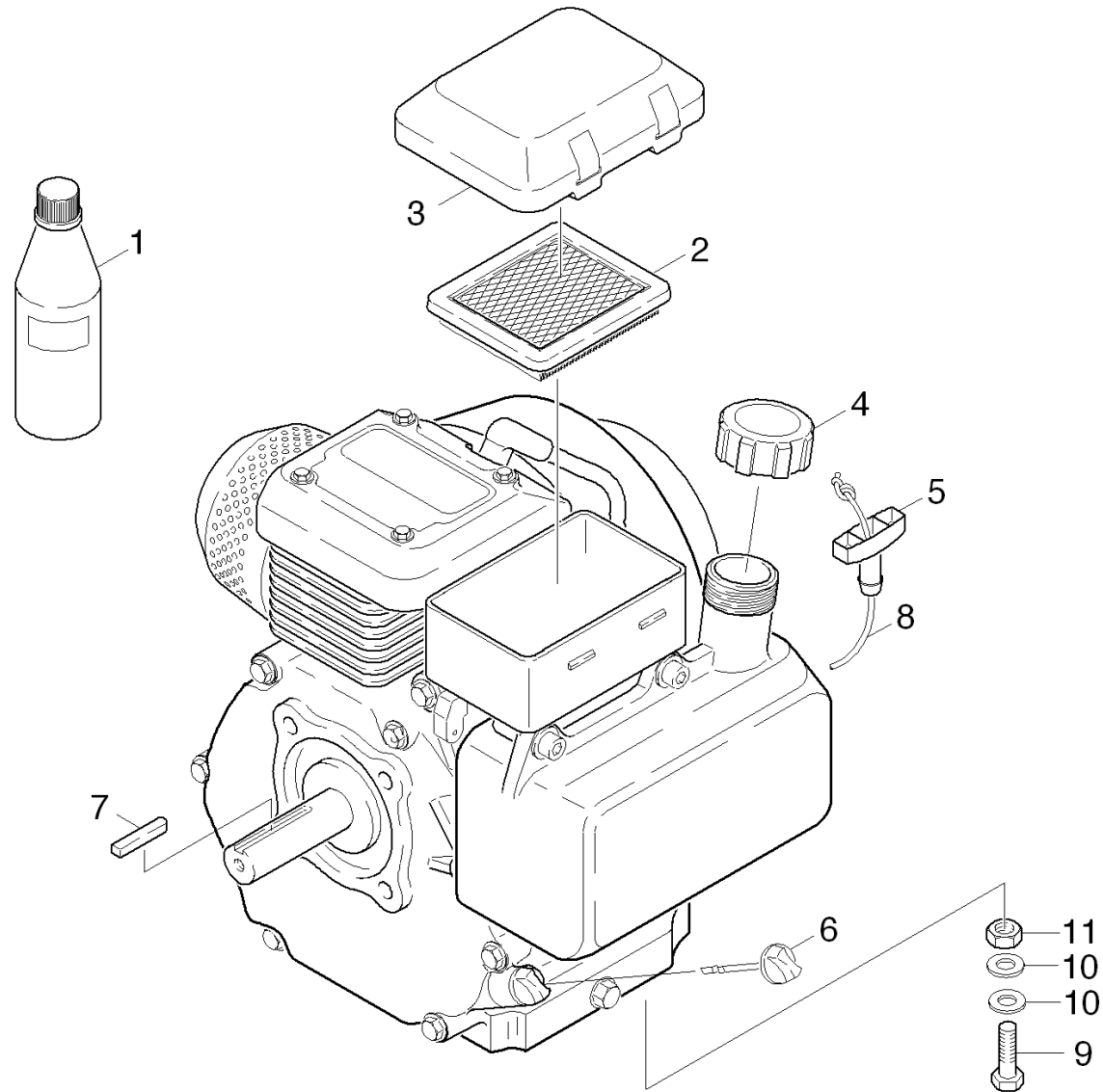
## 2.2 Piston



## 2.2 Piston

POS	DESCRIPTION <a href="#">ADDITIONAL INFORMATIONS</a>	PART NO	QTY.	FROM SER.NR.	UP TO SER. NR.
1	SPARE PARTS LIST-SET1	91391930	3		
2	Oil sealing 12x20x4/6	63653930	3		
3	SPACER-OIL SEAL & SEAL HSG.	91340160	3		
4	Grooved ring	63630580	3		
5	HOUSING-LOW PRESSURE SEAL	91550110	3		
6	O-Ring seal 21,5 x 1,78	63628330	3		
7	BACK RING-HIGH PRESSURE SEAL-	91773100	3		
8	HIGH PRESSURE SEAL	91773010	3		

### 3.1 Motor

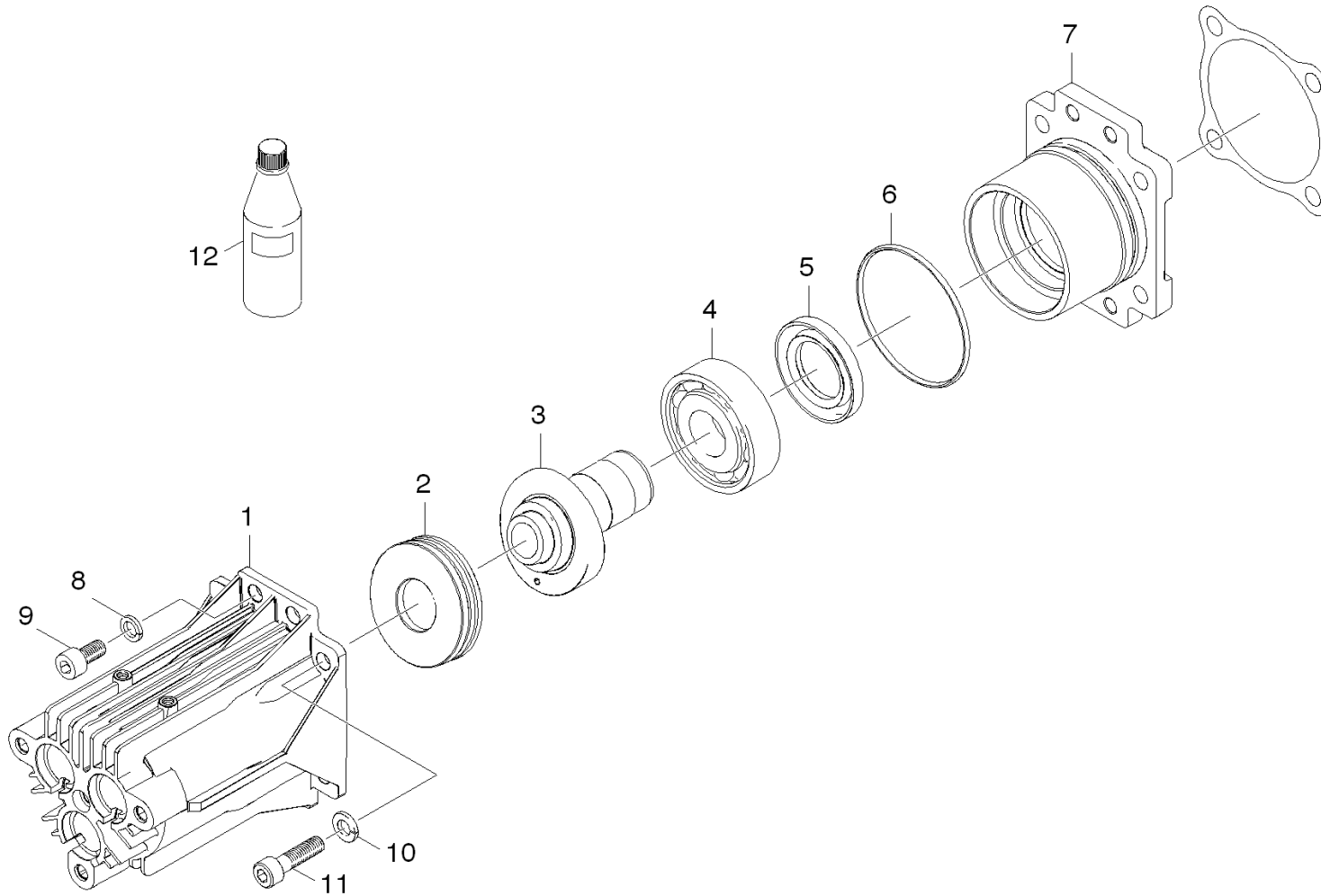


### 3.1 Motor

POS	DESCRIPTION ADDITIONAL INFORMATIONS	PART NO	QTY.	FROM SER.NR.	UP TO SER. NR.
1	OIL 1 LITRE	62880500	1		
2	AIR FILTER ELEMENT	64917260	1		
3	COVER	91945430	1		
4	GC 160 GAS CAP	91945480	1		
5	HANDLE	64915030	1		
6	OIL DIP ROD	91945310	1		
7	SPRING	91945450	1		
8	STARTER ROPE	64915460	1		
9	5/16-18 X 1-1/2 GR 5 HHCS ZINC	91860100	4		
10	5/16 SAE F/W ZINC .062 THK	91980020	8		
11	5/16-18 NE NYLON INSERT L/N ZC 5UM	91970020	4		



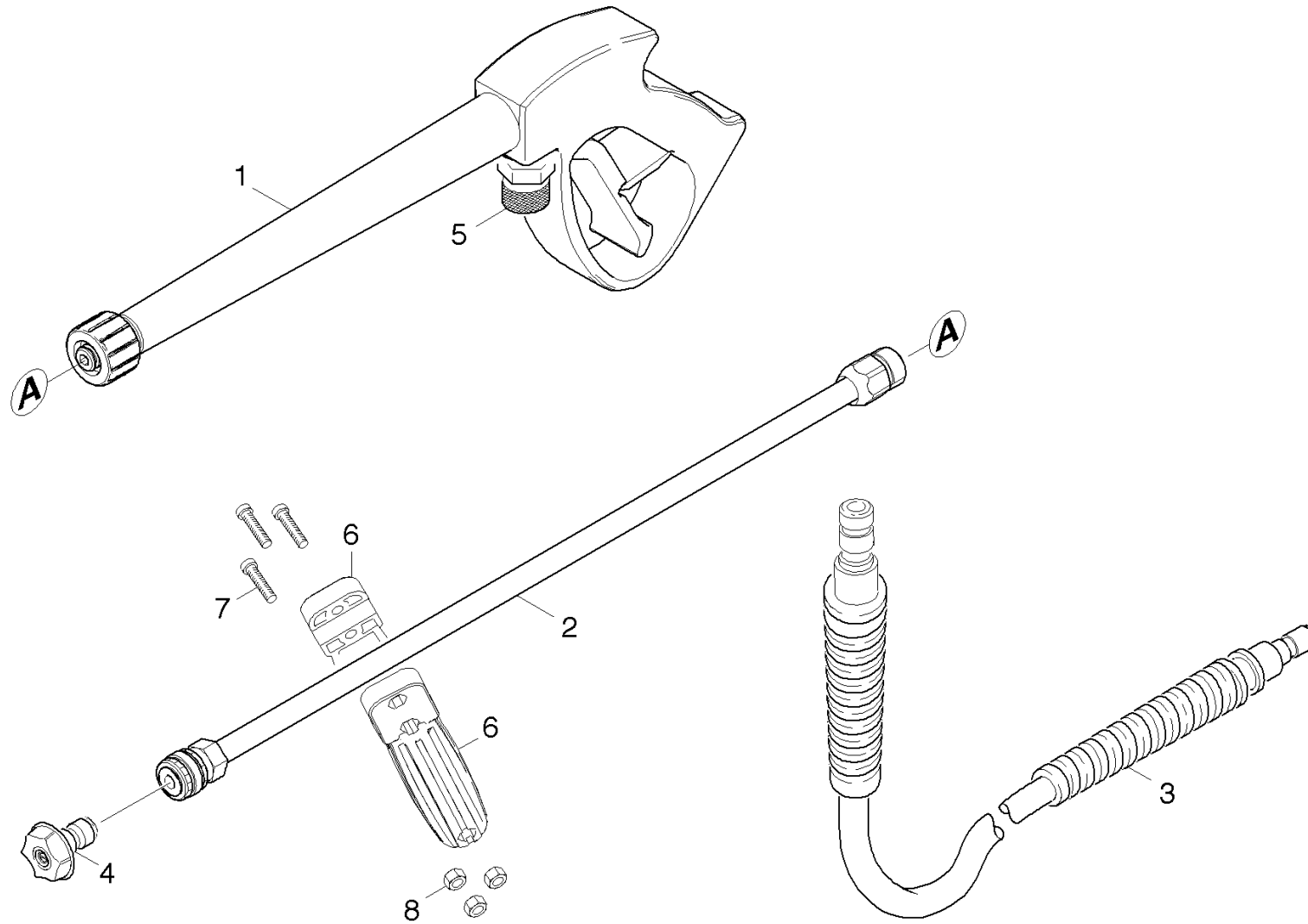
## 3.2 Transmission



## 3.2 Transmission

POS	DESCRIPTION ADDITIONAL INFORMATIONS	PART NO	QTY.	FROM SER.NR.	UP TO SER. NR.
1	SHORT OIL HOUSING AND PISTON GUIDE	91350060	1		
2	GROOVED BALL BEARING	91653550	1		
3	MOLDED SLEEVE-WOBBLE SHAFT-MACHINED-	91540370	1		
4	Angular contact ball bearing	64012600	1		
5	RADIAL SEAL, 30 x 52 x 7	91773090	1		
6	O-Ring seal 63,17x 2,62	63625370	1		
7	FLANGE SPACER-MACHINED-	91350050	1		
8	Spring washer 8-FST-A3E DIN 7980	73130510	4		
9	Cylinder head screw M8x16 -8.8-A2E ISO4	73060400	4		
10	5/16" SPLIT LOCK WASHER ZINC	51156560	4		
11	5/16-24X1 GR 5 SHCS THRU HARDENED ZC	69650070	4		
12	Engine oil 1L	62881120	1		

## 4.0 Accessories



## 4.0 Accessories

POS	DESCRIPTION <a href="#">ADDITIONAL INFORMATIONS</a>	PART NO	QTY.	FROM SER.NR.	UP TO SER. NR.
1	AL BIT101 TRIGGER GUN	91120120	1		
2	LANCE- AL QUICK CONNECT MALE 3000 PSI	91125260	1		
3	HP HOSE DN6 25FT 3000PSI	91623280	1		
4	QUICK DISCONNECT NOZZLE KIT-0305	91040320	1		
5	Quick Connect	91540450	1		
6	Handle	91340250	2		
7	Cheese Head Machine Screw M5x16mm	91960510	3		
8	M5 Nut	91970110	3		